

Gravity **ROLLER**

Gravity Roller Conveyor
(1-3/8 in. Dia. x 18 Ga.
Rollers)



1-3/8 in. dia. Gravity Roller Conveyor is used to carry lightweight packages or when operation requires lightweight sections. Useful in setting up permanent or temporary conveyor lines in warehousing activities, shipping departments, assembly areas, etc. Majority of products will convey with minimum amount of pitch.

- 4 Widths
- 6 Roller Centers
- Powder Painted Steel or Aluminum Frames

STEEL FRAMES

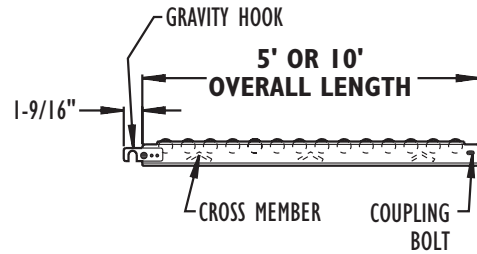
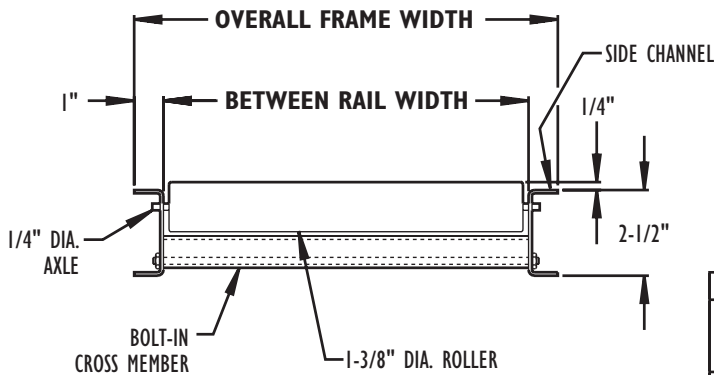
12" Overall Width				15" Overall Width				18" Overall Width				24" Overall Width			
Model No.	Roller Centers	Wgts. (Lbs.)		Model No.	Roller Centers	Wgts. (Lbs.)		Model No.	Roller Centers	Wgts. (Lbs.)		Model No.	Roller Centers	Wgts. (Lbs.)	
		5'	10'			5'	10'			5'	10'			5'	10'
SSR-12-1 1/2	1-1/2"	55	101	SSR-15-1 1/2	1-1/2"	62	112	SSR-18-1 1/2	1-1/2"	72	135	SSR-24-1 1/2	1-1/2"	91	168
SSR-12-3	3"	37	68	SSR-15-3	3"	42	78	SSR-18-3	3"	47	97	SSR-24-3	3"	58	108
SSR-12-4 1/2	4-1/2"	32	58	SSR-15-4 1/2	4-1/2"	33	61	SSR-18-4 1/2	4-1/2"	40	73	SSR-24-4 1/2	4-1/2"	47	88
SSR-12-6	6"	29	52	SSR-15-6	6"	30	55	SSR-18-6	6"	32	63	SSR-24-6	6"	42	78
SSR-12-9	9"	26	47	SSR-15-9	9"	27	50	SSR-18-9	9"	29	57	SSR-24-9	9"	37	69
SSR-12-12	12"	24	44	SSR-15-12	12"	26	46	SSR-18-12	12"	27	52	SSR-24-12	12"	34	63

All weights in catalog are conveyor weights only. Accessories, crating, etc., are not included.

ALUMINUM FRAMES

12" Overall Width				15" Overall Width				18" Overall Width				24" Overall Width			
Model No.	Roller Centers	Wgts. (Lbs.)		Model No.	Roller Centers	Wgts. (Lbs.)		Model No.	Roller Centers	Wgts. (Lbs.)		Model No.	Roller Centers	Wgts. (Lbs.)	
		5'	10'			5'	10'			5'	10'			5'	10'
SAR-12-1 1/2	1-1/2"	29	53	SAR-15-1 1/2	1-1/2"	33	56	SAR-18-1 1/2	1-1/2"	38	70	SAR-24-1 1/2	1-1/2"	48	88
SAR-12-3	3"	20	36	SAR-15-3	3"	23	41	SAR-18-3	3"	27	51	SAR-24-3	3"	30	56
SAR-12-4 1/2	4-1/2"	17	30	SAR-15-4 1/2	4-1/2"	18	32	SAR-18-4 1/2	4-1/2"	20	38	SAR-24-4 1/2	4-1/2"	25	46
SAR-12-6	6"	15	27	SAR-15-6	6"	16	29	SAR-18-6	6"	18	33	SAR-24-6	6"	22	41
SAR-12-9	9"	14	24	SAR-15-9	9"	14	26	SAR-18-9	9"	16	30	SAR-24-9	9"	19	36
SAR-12-12	12"	12	23	SAR-15-12	12"	13	24	SAR-18-12	12"	14	27	SAR-24-12	12"	18	33

All weights in catalog are conveyor weights only. Accessories, crating, etc., are not included.



Frame Material	Support Centers	Frame Capacity (Lbs.) Maximum Distributed Live Load Per Foot	Roller Capacity (Lbs.) Maximum Load Per Roller
Steel	5'	250	45
	10'	31	
Aluminum	5'	83	30
	10'	10	

• **Standard Specifications**

WIDTHS-12 in., 15 in., 18 in. and 24 in. overall.

FRAME-2-1/2 in. deep x 1 in. flange x 12 ga. powder painted formed steel or 1/8 in. heat-treated aluminum channel with bolt-in cross members.

COUPLINGS-Bolt on one end, hooks on opposite end.

LENGTHS-5 ft. and 10 ft. straight sections.

ROLLERS-1-3/8 in. dia. x 18 ga. galvanized steel or heat-treated aluminum tubing. Spring loaded axle allows roller to be easily removed or inserted.

AXLES-1/4 in. dia. round

CAPACITY-See Load Capacity Chart this page.

